

PPC-2610RT

26" Widescreen TFT Touch Panel PC

ECS

**Embedded
Computer
Source**



- **26" TFT WXGA LCD**
- **Intel Celeron-M 1.5GHz**
- **Intel 855GME GMCH+ICH4**
- **System Memory up to 2GB DDR SDRAM**
- **2xFast Ethernet LAN**
- **802.11b/g Wireless LAN**
- **Camera module with 1.3MEGA Pixels**
- **Saw touch, Without Touch**

PPC-2610RT

26" Widescreen TFT Touch Panel PC

Technical Information

System	
CPU	Intel Celeron-M 1.5G 1M L2 Cache
Chipset	Northbridge Intel 855GME GMCH
Memory	DDR333 DIM ECC 512MB(2 DIMMS up to 2GB)
Storage	2.5" HDD storage 1x CompactFlash Type? socket
Expansion	Mini-PCI slot
Audio	Built in 2x3W speaker ALC-655 AC'97 Codec
I/O	2x Fast Ethernet 4x USB2.0 ,5x Serial Port RS232 1x Parallel port 1x VGA out PS2 Keyboard/Mouse Mic in, Line-in, Line-out Reset Key
Camera	1.3MEGA Pixels

LCD Display	
Display	TFT WXGA widescreen LCD
Size	26"
Resolution	1366x768

Network	
Wireless LAN	802.11b/g
ON board LAN	2xFast Ethernet controller Intel 82551ERI

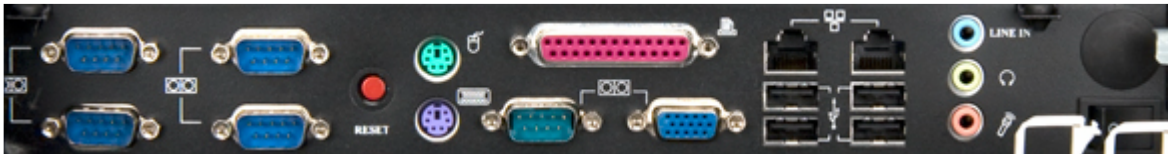
Power Supply	
Output Rating	200W
Input Voltage	100 - 240V
Output Voltage	24V,12V

Environmental Specification	
Temperature	Operating: 0-35°C ,10%-80% non-condensing Storage: -20-50°C, 5%-80% non-condensing
Dimensions	680mm x 410mm x 139mm
Weight	25kg
Accessories	Power cableg

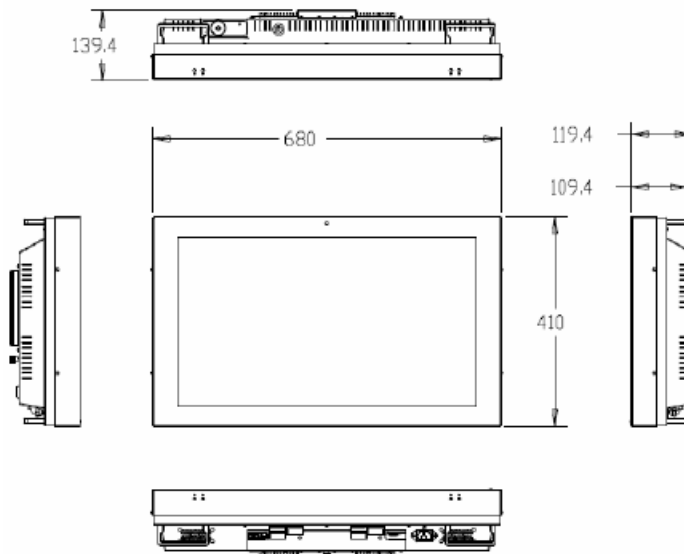
Touch screen	
Type	SAW touch, Without Touch
Controller	USB Interface

Option	
Table stand/Wall Mount/Wireless LAN/Camera Module	

I/O Panel



Dimension



Embedded Computer Source Ges. m.b.H.

Franz Lehargasse 17
A-2384 Breitenfurt / Wien
Austria
sales@embeddedcomputersource.com
<http://www.embeddedcomputersource.com>